

# Fan Louvre Shutters

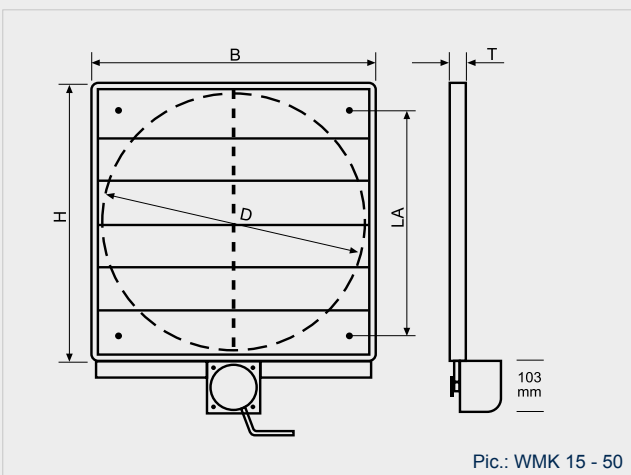
## Motorized Version / Type WMK



- Plastic fan louvre shutter for ventilation and exhaust ventilation
- Blades open when energized and close when disconnected
- No stage circuit possible
- Motor (230 V / 50 Hz / IP 51) is tightly fixed to the louvre shutter
- Suitable for an operating temperature range of -20 °C to +60°C
- Opening angle 85°



Pic.: WMK 40



Pic.: WMK 15 - 50

- Outdoor weathering resistant (UV-stabilized)
- Specific design guarantees high durability
- Manufactured of high standard ecologically friendly plastic
- Number of blades varies according to the size of the shutter
- Each louvre shutter is individually carton-packed incl. a set of fastening parts (hole size 5 mm)
- Available as special fabrication (WMK-S) in all sizes

Type	light grey	D	H/B	LA	T	Free cross-section (cm <sup>2</sup> )
WMK 15	21000221	159	195	140	22	198
WMK 20	21000231	210	243	182	21	346
WMK 25	21000241	258	294	232	26	522
WMK 30	21000251	310	346	276	26	754
WMK 35	21000261	360	397	310	26	1017
WMK 40	21000271	422	462	366	26	1398
WMK 45	21000281	462	501	395	31	1676
WMK 50	21000291	505	548	443	31	2002
WMK 55*	21000301	-	603	520	28	3112
WMK 65*	21000321	-	696	628	31	4092
WMK 71**	21000741	-	760	692	80	5010
WMK 75**	21000751	-	790	722	80	5375
WMK 80**	21000761	-	840	772	80	6218
WMK 85**	21000771	-	890	822	80	6785
WMK 90***	21000781	-	940	872	80	7140
WMK 95***	21000791	-	990	922	80	8490
WMK 100***	21000801	-	1040	972	80	9455

Dimensions in mm. Subject to technical changes.

light grey ~ RAL 7035  
\* with middle strap / \*\* divided into two parts / \*\*\* divided into three parts